



TRANSPORTATION CABINET

Frankfort, Kentucky 40622
www.transportation.ky.gov/

Steven L. Beshear
Governor

Michael W. Hancock, P.E.
Secretary

February 4, 2015

CALL NO. 402
CONTRACT ID NO. 152906
ADDENDUM # 1

Subject: Trigg County, 116GR15M010-FE02
Letting February 20, 2015

- (1) Revised - Drawings - Pages 23-27 of 75
- (2) Deleted - Page 28

Proposal revisions are available at <http://transportation.ky.gov/Construction-Procurement/>.

If you have any questions, please contact us at 502-564-3500.

Sincerely,

A handwritten signature in blue ink that reads "Diana Castle Radcliffe".

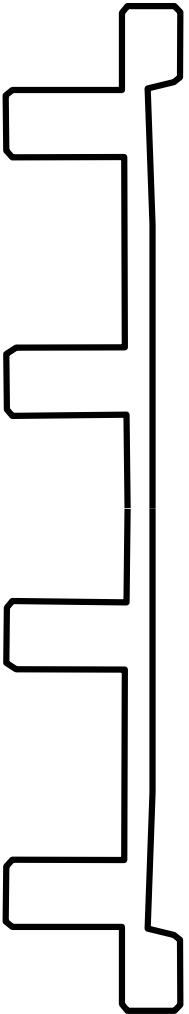
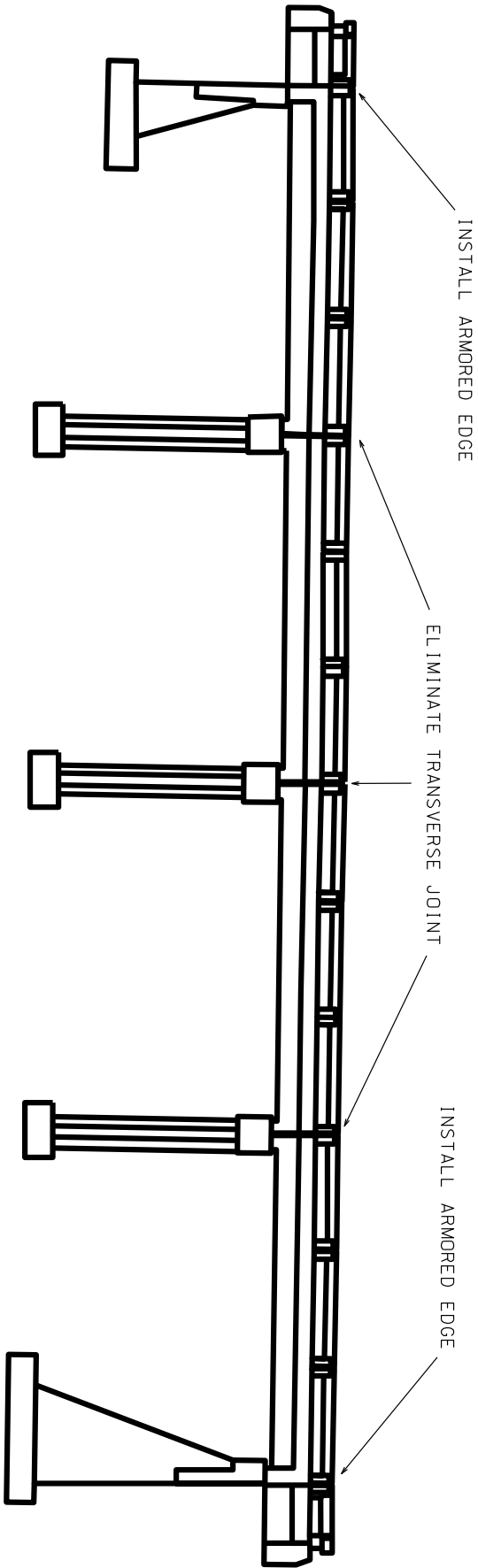
Diana Castle Radcliffe
Director
Division of Construction Procurement

DR:ks
Enclosures



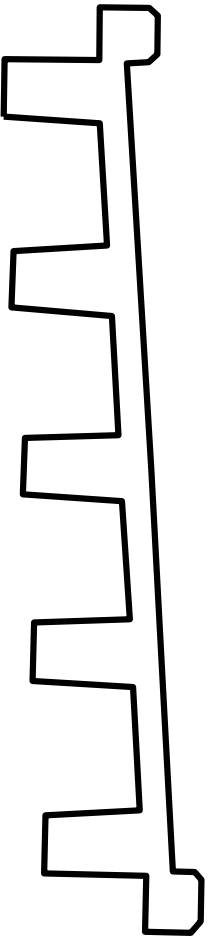
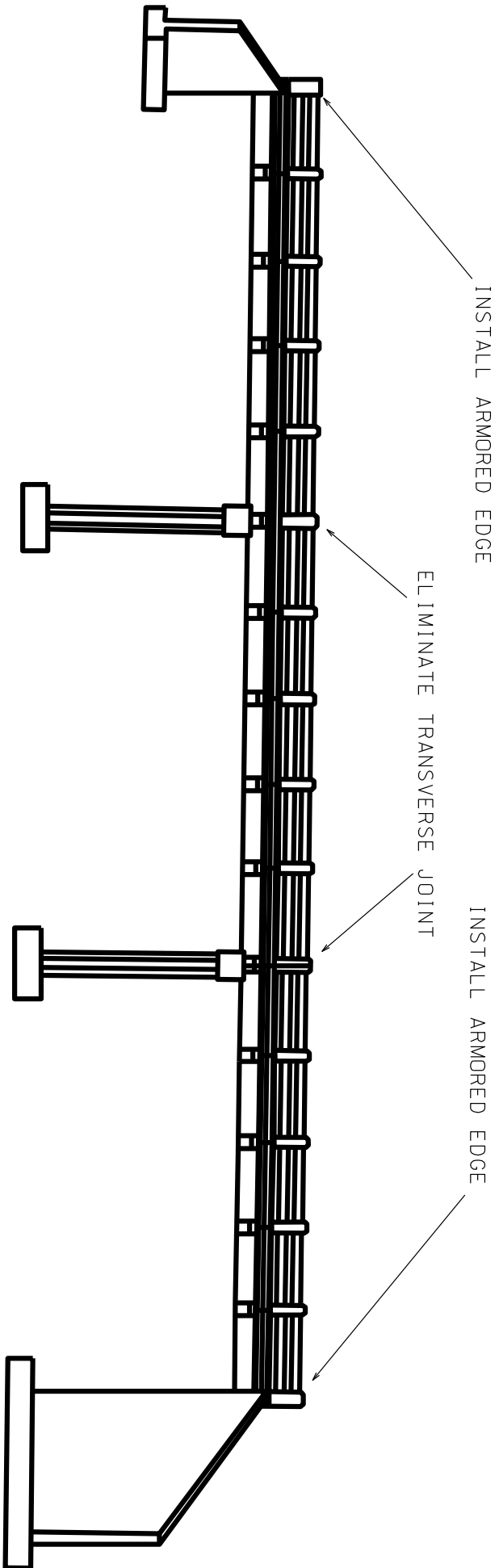
An Equal Opportunity Employer M/F/D

111B00002N
4 30' RCDC SPANS
132' TOTAL - NO SKEW



22' CURB TO CURB

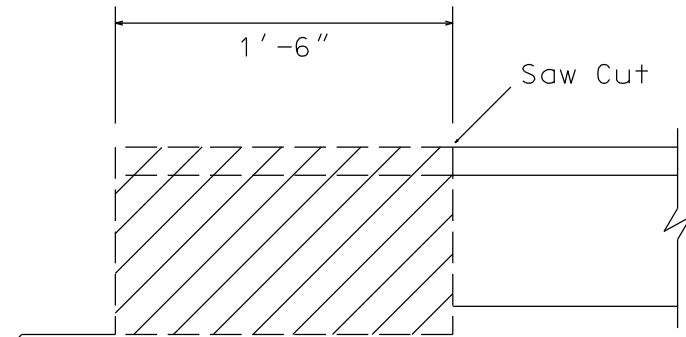
111B00005N
3 45' RC DG SPANS
145' TOTAL - NO SKEW



23' CURRB TO CURRB

ARMORED EDGE DETAIL

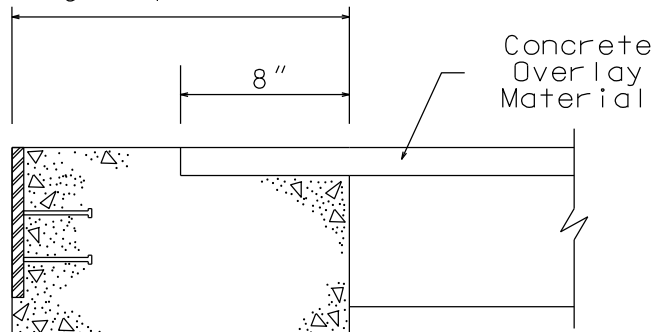
Remove X-Hatched Areas of
Concrete & Expansion Device



EXISTING SECTION

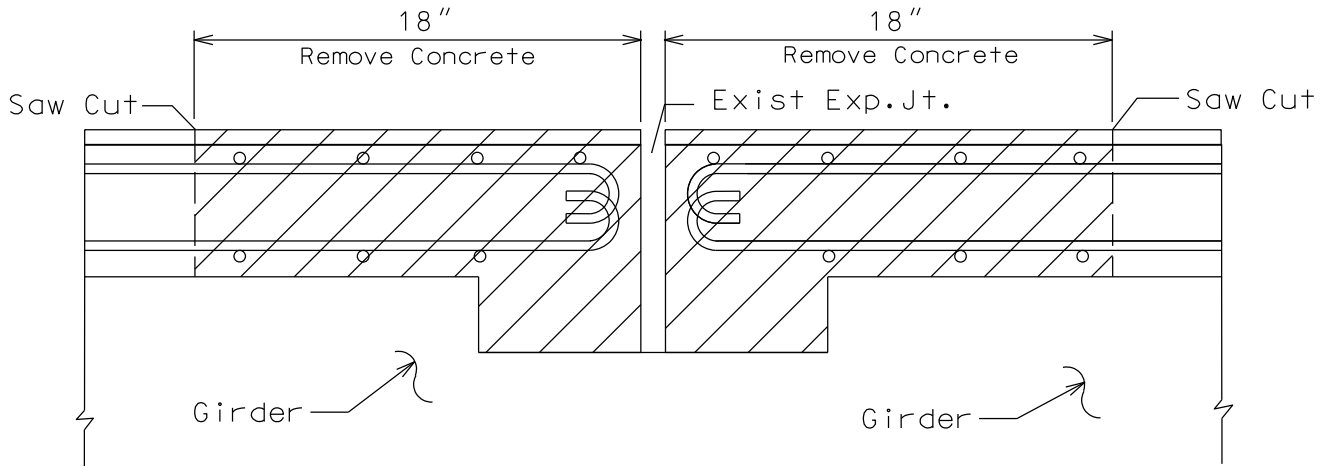
Pay Limits for "Armored
Edge Replacement"

See Standard
Drawing
BJE-001



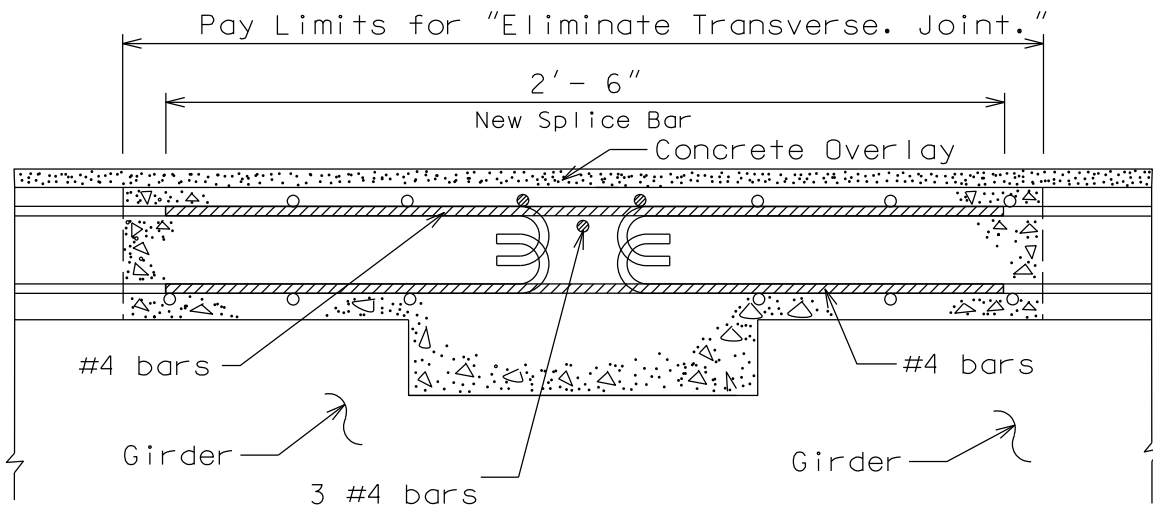
PROPOSED SECTION

ELIMINATE TRANSVERSE JOINT DETAIL



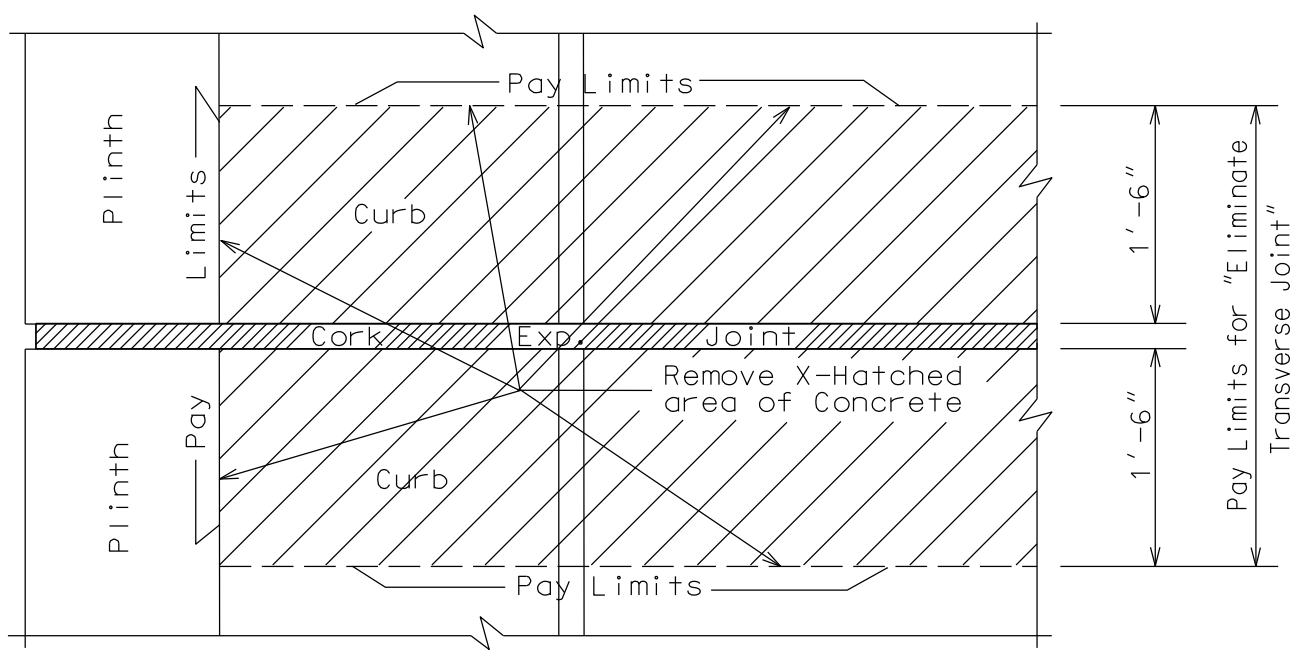
NOTE: Do not disturb existing Steel Reinforcement

EXISTING SECTION @ Transverse Joint

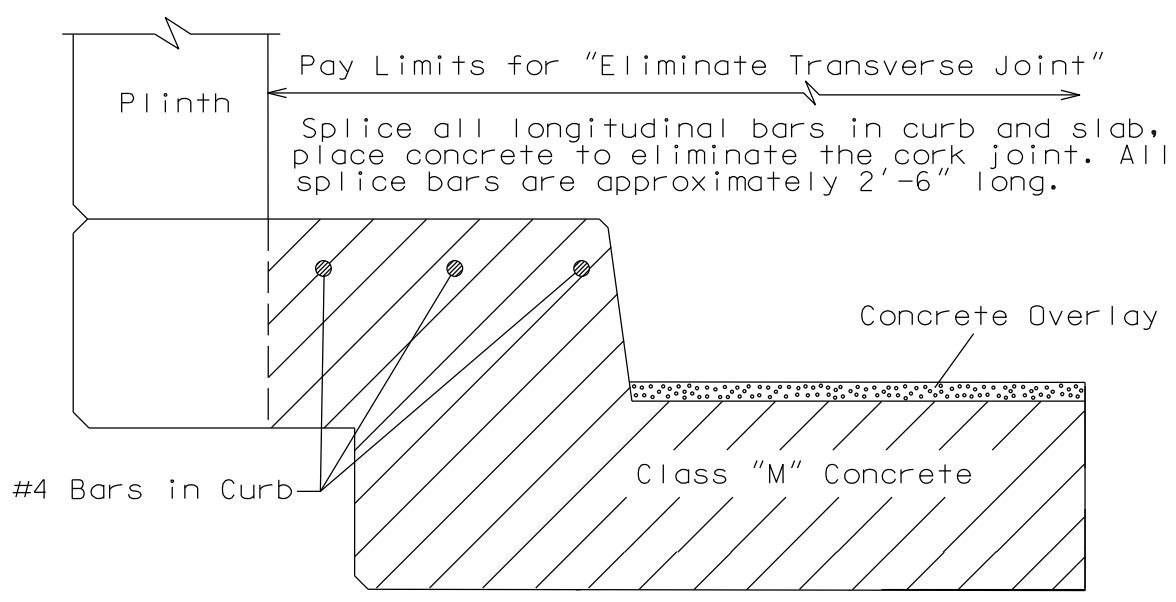


PROPOSED SECTION @ Transverse Joint

ELIMINATE TRANSVERSE JOINT DETAIL



EXISTING PLAN VIEW @ CURB



PROPOSED SECTION @ CURB